

TR350 Thermostat User Manual

Turn on/off the thermostat

To turn on/off the thermostat, press and hold up and down arrow button simultaneously. When the thermostat is in standby mode, it will only display "OFF". While it is turned on, it will show the current temperature value.

Set temperature

Press up arrow button or down arrow button once, the temperature value will flash, and use up arrow button or down arrow button again to adjust temperature value.

Calibrate temperature

The thermostat has the ability to calibrate temperature. Press and hold down arrow button to enter the interface of temperature calibration, use up arrow button or down arrow button to adjust to the desired temperature value.

View floor temperature

With the thermostat set in AF mode, press and hold up arrow button, the floor temperature value will display for 5 seconds, then the thermostat returns to the standard display.



Slide switches

All the slide switches are initially in off position. Manually turn on/off these switches to set the thermostat if needed.

Select temperature format

Select celsius format, to slide on switch 1. Select fahrenheit, to slide off switch 1.

Switching differential

The number of degrees difference can be adjusted by switch 2 and switch 3. See table below to make adjustments.

Status of switch 2	Status of switch 3	Number of degree difference
ON	ON	0.1 deg C / 1 deg F
OFF	OFF	2 deg C / 4 deg F
OFF	ON	0.5 deg C / 2 deg F
ON	OFF	1 deg C / 3 deg F

Floor temperature limit

To set the value of floor temperature limit in AF mode. See table below.

Status of switch 4	Status of switch 5	Value of floor temperature limit
ON	ON	20 deg C / 68 deg F
OFF	OFF	20 deg C / 68 deg F
OFF	ON	28 deg C / 82 deg F
ON	OFF	40 deg C / 104 deg F

Working mode

This thermostat has 3 optional working modes: A, F, AF. See table below to select your desired working mode.

Status of switch 6	Status of switch 7	Working mode
ON	ON	A(with built-in sensor only)
OFF	OFF	A(with built-in sensor only)
OFF	ON	AF(with both built-in sensor&floor sensor)
ON	OFF	F(with floor sensor only)

Setting range

This thermostat can be set with 3 temperature setting range. see below,

Status of switch 8	Status of switch 9	Setting range
ON	ON	5~45 deg C / 41~113 deg F
OFF	OFF	5~45 deg C / 41~113 deg F
OFF	ON	0~80 deg C / 32~176 deg F
ON	OFF	-15~99 deg C / 5~212 deg F

Installation

Carefully separate the front half of the thermostat from the back plate by placing a small flat head terminal driver into the slots on the bottom face of the thermostat.



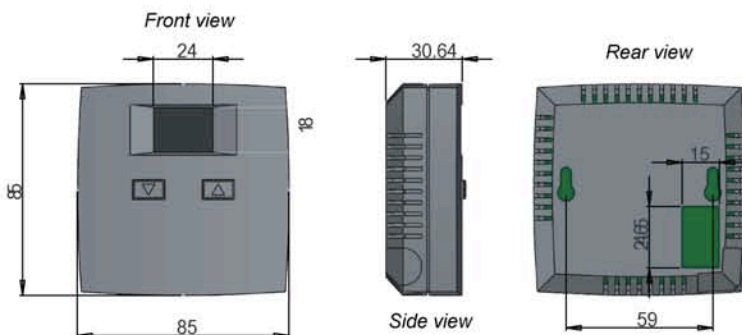
Screw the thermostat back plate on to the wall or wall box, and connect wires.



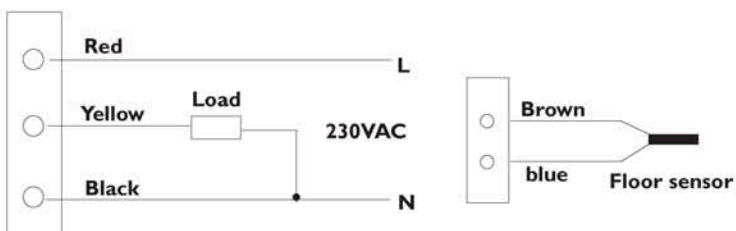
Reconnect the front half of the thermostat to the back plate.



Dimensions



Wiring Diagram



* Power supply: 230VAC; 120VAC available;
* Max load: 16 Amp, resistive;