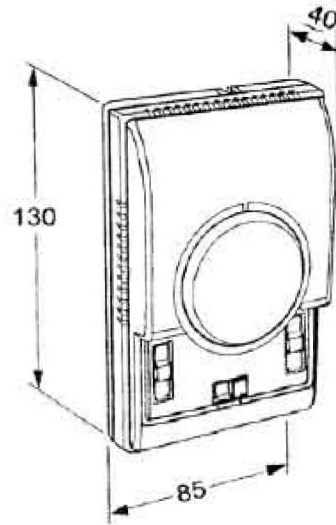


FAN COIL THERMOSTAT / DAMPER THERMOSTAT  
THERMOSTAT TR201 SERIES

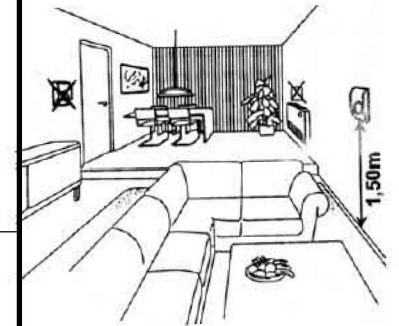
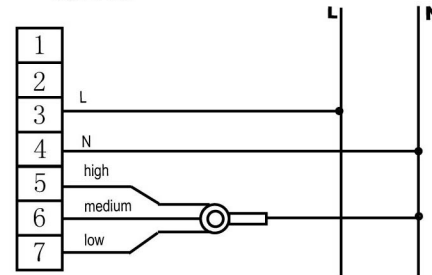
TR201B / TR201D / TR201F



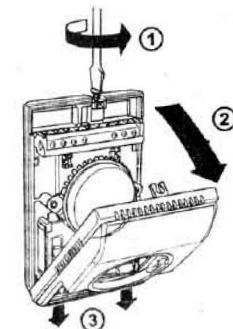
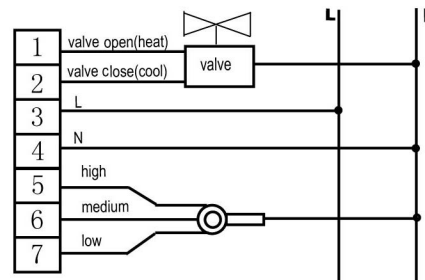
SWITCHES	COOL-HEAT	ON-OFF	FAN 1-2-3
SETTING TEMPERATURE	KNOB		
SETTING RANGE	10 ~ 30°C		
SENSING ELEMENT	Air inflated membrane box		
MEASURING PRECISION	≤1°C @ 20°C		
BASE & COVER MATERIAL	ABS PLASTICS		
ELECTRICAL RATING	220VAC 50Hz/60Hz ± 15%		
OUTPUTS	2A MAX		
Dimensions	85 x 130 x 40 mm		

WIRING & INSTALLATION

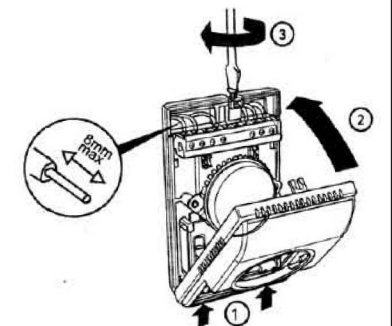
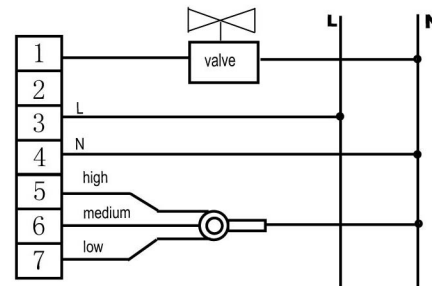
TR 201 B



TR 201 D for 3-wire motorised valve



TR 201 D for 2-wire motorised valve



TR 201 F

